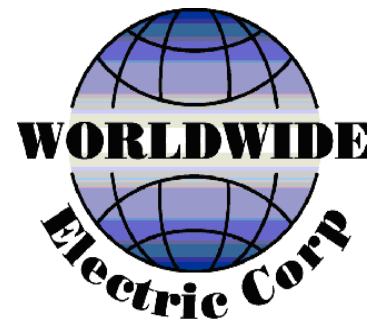


Oil Well Pump Motors Design D



3 HP - 100 HP
1200 RPM
TEFC Enclosure



*“The Leader In Providing
High Quality, Low Cost,
Sourced Motors”*

WorldWide Electric Corporation



Oil Well Pump Motors Design D

HP	RPM	Voltage	Frame Size	Enclosure	Model Number	List Price *
3	1200	208-230/460	213T	TEFC	WO3-12-213T	\$737.11
5	1200	208-230/460	215T	TEFC	WO5-12-215T	\$872.89
7.5	1200	208-230/460	254T	TEFC	WO7.5-12-254T	\$1,092.78
10	1200	208-230/460	256T	TEFC	WO10-12-256T	\$1,487.17
15	1200	208-230/460	284T	TEFC	WO15-12-284T	\$1,868.67
20	1200	208-230/460	286T	TEFC	WO20-12-286T	\$2,244.72
25	1200	208-230/460	324T	TEFC	WO25-12-324T	\$2,712.33
30	1200	208-230/460	326T	TEFC	WO30-12-326T	\$3,180.00
40	1200	208-230/460	365T	TEFC	WO40-12-365T	\$4,346.00
50	1200	208-230/460	404T	TEFC	WO50-12-404T	\$4,876.00
60	1200	208-230/460	405T	TEFC	WO60-12-405T	\$5,181.50
75	1200	208-230/460	444T	TEFC	WO75-12-444T	\$7,494.83
100	1200	208-230/460	445T	TEFC	WO100-12-445T	\$8,473.78

* Prices In This Brochure Are List - Please Call For Your Multiplier



Oil Well Pump Motors



High Efficiency
cCSA_{US} Certified
ISO9001
CE Mark
CC006A

Standards Of
Excellence

All Cast Iron Frame
Ribbed Design For
Maximum Cooling

Class F
Winding
Insulation

SKF Brand
Premium Quality
Ball Bearings

All Ratings
Totally Enclosed
Fan Cooled

V-Ring
Shaft Seals On
Drive-End and
Opposite Drive-End

All Steel
Fan Cover
(Cast Iron Available)

Standard NEMA
"T" Frame
F-2 Mount
Configuration
For Oil Well Pump

Solid
All Cast Iron
Mounting Feet

All Cast Iron
Junction Box
With Rubber Gasket
And Rubber Dust Curtain

NEMA Design D
Rated
5% - 8%
High Slip

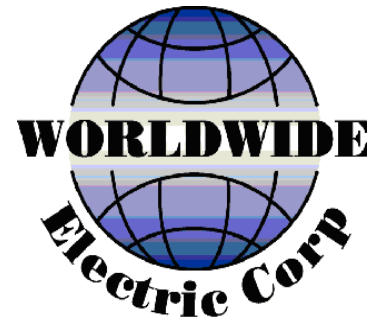


ISO9001



CC006A

Oil Well Pump Motors Design D



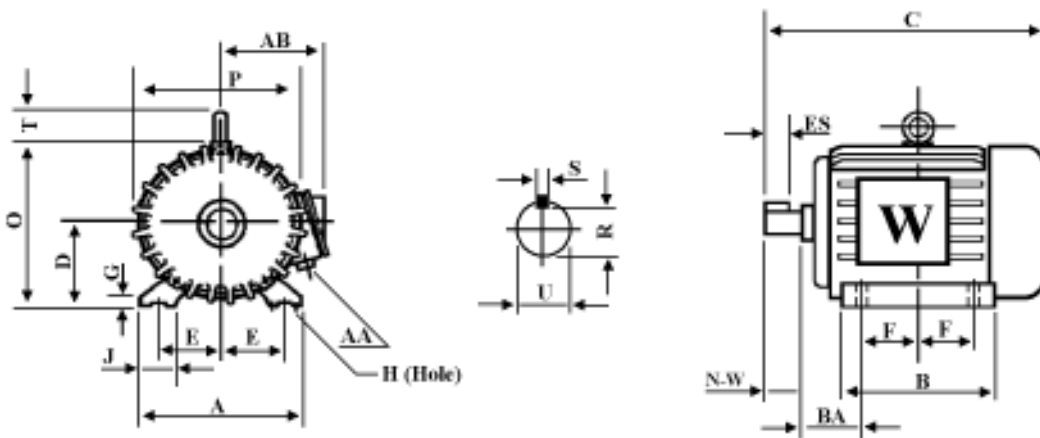
Performance Data

HP	RPM	Voltage	Frame Size	Full Load Current At 230V (A)	Full Load Current At 460V (A)	Full Load Torque (Lb. Ft.)	Locked Rotor Torque (%)	Break-down Torque (%)	Efficiency 100%	Power Factor 100%	Service Factor	Approx. Weight (Lbs.)
3	1200	208-230/460	213T	8.8	4.4	14.1	300%	270%	79.0%	0.75	1.15	155
5	1200	208-230/460	215T	14.6	7.3	23.5	300%	270%	82.0%	0.76	1.15	175
7.5	1200	208-230/460	254T	20.0	10.0	34.6	280%	340%	86.5%	0.79	1.15	300
10	1200	208-230/460	256T	28.0	14.0	46.2	330%	330%	87.0%	0.79	1.15	340
15	1200	208-230/460	284T	38.0	19.0	69.4	275%	300%	87.0%	0.85	1.15	410
20	1200	208-230/460	286T	51.0	25.5	92.7	275%	280%	87.5%	0.85	1.15	440
25	1200	208-230/460	324T	63.0	31.5	115.6	310%	300%	89.0%	0.87	1.15	580
30	1200	208-230/460	326T	76.0	38.0	138.4	350%	320%	88.5%	0.85	1.15	610
40	1200	208-230/460	365T	99.0	49.5	185	290%	300%	89.0%	0.83	1.15	650
50	1200	208-230/460	404T	116	58.0	232.3	330%	300%	89.0%	0.91	1.15	1035
60	1200	208-230/460	405T	144	72.0	278.4	325%	310%	90.1%	0.90	1.15	1085
75	1200	208-230/460	444T	180	90.0	348	340%	305%	91.4%	0.91	1.15	2044
100	1200	208-230/460	445T	240	120	462.1	328%	312%	92.0%	0.92	1.15	2210



Oil Well Pump Motors Design D

Dimensions



FRAME SIZE	A	B	C	D	E	F	G	H	J	N-W	O	P	R	S	T	U	ES	AA	AB	BA
213T	10.5	7.5	18.89	5.25	4.25	2.75	0.709	0.41	2.36	3.375	10.5	10.4	1.201	0.312	1.75	1.375	2.41	1	8.63	3.5
215T	10.5	9	20.488	5.25	4.25	3.5	0.709	0.41	2.36	3.375	10.5	10.4	1.201	0.312	1.75	1.375	2.41	1	8.63	3.5
254T	12.5	10.8	23.292	6.25	5	4.125	0.787	0.53	2.76	4	12.79	12.6	1.416	0.375	2.15	1.625	2.91	1.5	11.2	4.25
256T	12.5	12.5	25.058	6.25	5	5	0.787	0.53	2.76	4	12.79	12.6	1.416	0.375	2.15	1.625	2.91	1.5	11.2	4.25
284T	14	12.5	26.63	7	5.5	4.75	0.866	0.53	2.76	4.625	13.98	13.98	1.591	0.5	2.35	1.875	3.28	1.5	12	4.75
286T	14	14	28.182	7	5.5	5.5	0.866	0.53	2.76	4.625	13.98	13.98	1.591	0.5	2.35	1.875	3.28	1.5	12	4.75
324T	16	14	29.95	8	6.25	5.25	0.984	0.66	2.76	5.25	15.8	15.55	1.845	0.5	2.55	2.125	3.91	2	13.4	5.25
326T	16	15.5	31.236	8	6.25	6	0.984	0.66	2.76	5.25	15.8	15.55	1.845	0.5	2.55	2.125	3.91	2	13.4	5.25
365T	18	16.2	34.114	9	7	6.125	1.102	0.66	2.95	5.875	18.02	17.4	2.021	0.625	2.55	2.375	4.28	3	15.7	5.88
404T	20	16.2	36.81	10	8	6.125	1.18	0.81	3.15	7.25	20.91	21.42	2.45	0.75	2.55	2.875	5.65	3	18.07	6.62
405T	20	17.8	38.35	10	8	6.875	1.18	0.81	3.15	7.25	20.91	21.42	2.45	0.75	2.55	2.875	5.65	3	18.07	6.62
444T	22	18.5	42.52	11	9	7.25	1.38	0.81	3.35	8.5	23.68	23.43	2.88	0.875	2.75	3.375	6.91	2 x 3	19.07	7.5
445T	22	20.5	44.5	11	9	8.25	1.38	0.81	3.35	8.5	23.68	23.43	2.88	0.875	2.75	3.375	6.91	2 x 3	19.07	7.5



Oil Well Pump Motors



**Certified Drawings and Specification Sheets
Immediately Available On All Motor Ratings**

**Please Contact Your
WorldWide Electric Dealer**

***“The Leader In Providing High Quality,
Low Cost, Sourced Motors”***